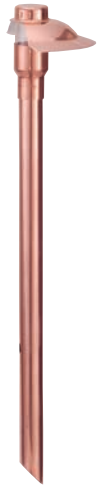


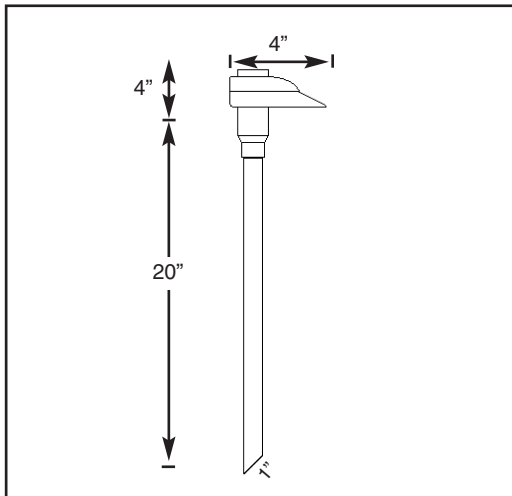
CLASSIC HALF-PATH, HALF-FLOOD LIGHT
BB-07F



**CLASSIC COPPER HALF-PATH,
HALF-FLOOD LIGHT**

bb-07f

This unique light performs double duty, highlighting your pathway as well as a favorite tree, textured wall or lush planting bed simultaneously. Beauty and safety are together enhanced, thanks to clever design and professional placement.



LAMP
MATERIAL
STAKE MOUNT

20 WATT QUARTZ BI-PIN
COPPER
20" STAKE STANDARD

