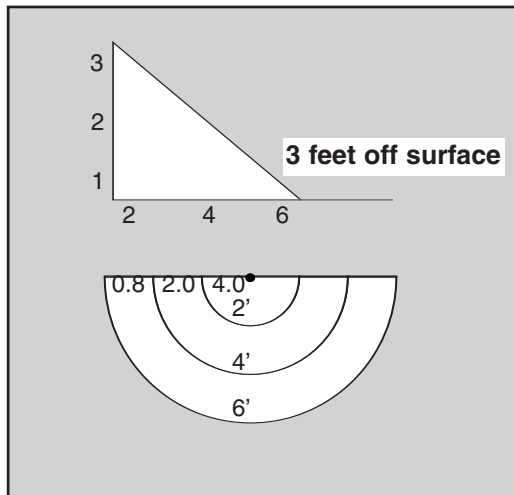
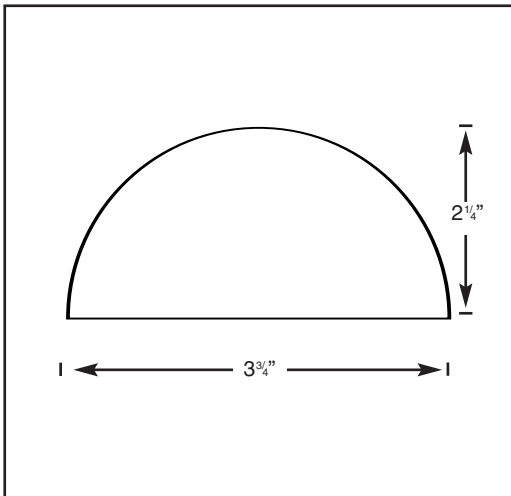


**COPPER DECK LIGHT**  
**BB-O8**



**COPPER WALL/DECK LIGHT**

bb-o8

*This understated but powerful light casts the industry's widest indirect wash from its perch upon deck posts and retaining walls. The "half moon" sconce creates rich ambient light, and the beautiful copper finish weathers the elements with grace.*

**LAMP  
MATERIAL**

**10 WATT QUARTZ BI-PIN  
COPPER**